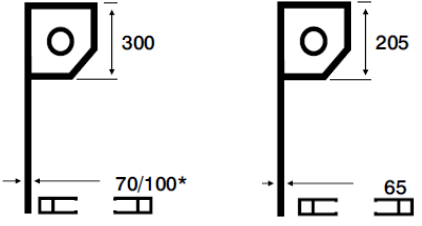
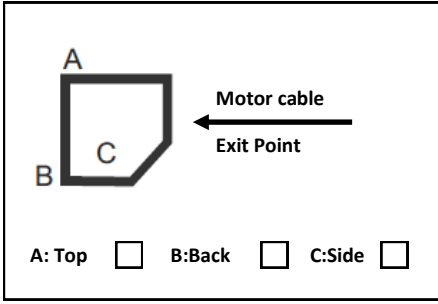


ROLLER DOOR SURVEY SHEET

****Always Capture Brick to Brick Sizes ****

Job No:	Customer:	Date:	RAD No:
---------	-----------	-------	---------

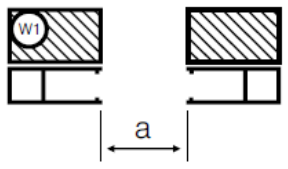
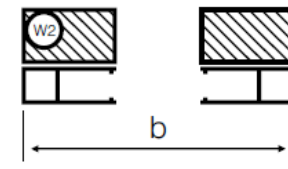
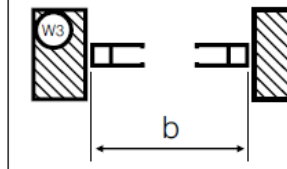
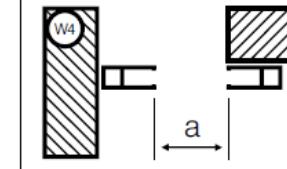
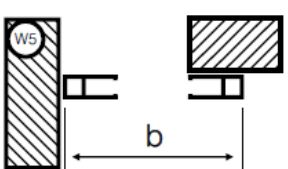
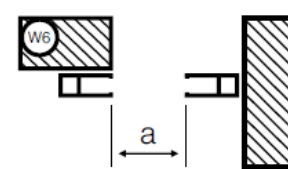
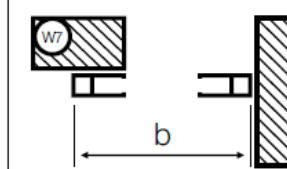
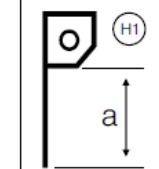
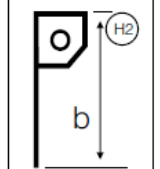
Please Select Product and Fitting: Internal Fitting External Fitting Manual Operation

<p>Standard 78/20 <input type="checkbox"/> Compact 50/12 <input type="checkbox"/></p>  <p style="font-size: small;">*70mm up to 3000mm 100mm over 3000mm</p>	 <p>A: Top <input type="checkbox"/> B:Back <input type="checkbox"/> C:Side <input type="checkbox"/></p>	<table border="1" style="width:100%; border-collapse: collapse;"> <tr><td>Right Hand Side Motor</td><td><input type="checkbox"/></td></tr> <tr><td>Left Hand Side Motor</td><td><input type="checkbox"/></td></tr> <tr><td>Standard Crank</td><td><input type="checkbox"/></td></tr> <tr><td>Crank Handle Type:</td><td><input type="checkbox"/></td></tr> <tr><td>Eyelet with Hook Crank</td><td><input type="checkbox"/></td></tr> <tr><td>No Eyelet with Hexagon Crank</td><td><input type="checkbox"/></td></tr> </table>	Right Hand Side Motor	<input type="checkbox"/>	Left Hand Side Motor	<input type="checkbox"/>	Standard Crank	<input type="checkbox"/>	Crank Handle Type:	<input type="checkbox"/>	Eyelet with Hook Crank	<input type="checkbox"/>	No Eyelet with Hexagon Crank	<input type="checkbox"/>
Right Hand Side Motor	<input type="checkbox"/>													
Left Hand Side Motor	<input type="checkbox"/>													
Standard Crank	<input type="checkbox"/>													
Crank Handle Type:	<input type="checkbox"/>													
Eyelet with Hook Crank	<input type="checkbox"/>													
No Eyelet with Hexagon Crank	<input type="checkbox"/>													

All products supplied with 2x 1 channel handsets as standard

Fixing - Please enter the sizes in Millimetres (mm) under the picture showing the fixing position

*** A = Drive through measurement B = Overall measurement ***

 W1:	 W2:	 W3:	 W4:	
 W5:	 W6:	 W7:	 H1:	 H2:

Back Box 90deg Facia	YES	NO
Front Box 45deg Cover	YES	NO
Battery Backup	YES	NO
Keypad	YES	NO
Key Switch	YES	NO
Extra Handsets	QTY:	
Therma Box	YES	NO
Hood Strengtheners	QTY:	
Finger Print Scanner	YES	NO
Hood Lock	YES	NO
Photocell + 2x 1.Ch Handset	YES	NO
Courtesy Light + Photocell	YES	NO
Safety Edge/DMS + Photocell	YES	NO

External Manual Release	YES	NO
-------------------------	-----	----

Colours—please use names from the supplier brochures or RAL numbers

Curtain	WHITE	BROWN	OTHER:
Box	WHITE	BROWN	OTHER:
Guides	WHITE	BROWN	OTHER:

Notes: