



If customer has an alternative bi fold door, we must survey to replace with either Origin or Polyframes to fit.

PROFILE SPECIFICATION

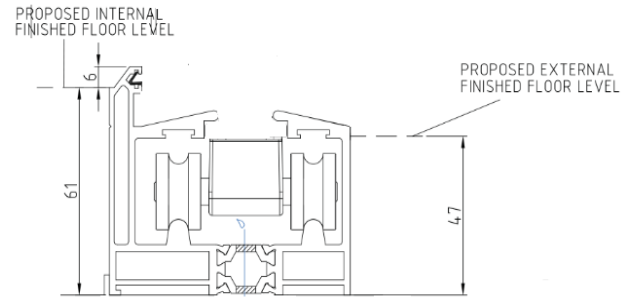
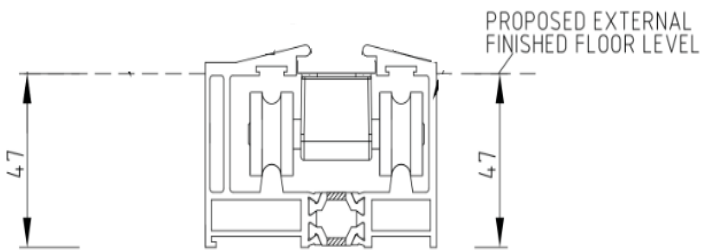
- Outer Frame Depth 75MM (80mm inc face drain)
- Sash Depth 59MM
- Sash Sightline 72MM
- Track Height (not included in rebate) 50MM

FEATURE

- Comes KIT form
- Chamfered bead int & ext
- 8 Point Locking 3 dead bolt, 2 hooks , 2 shootbolts

OPTIONS

Weathered & non weather threshold



Cill are: 95mm, 155mm, 180mm & 225mm

MARINE FINISH FOR NEAR SALT AIR AREAS

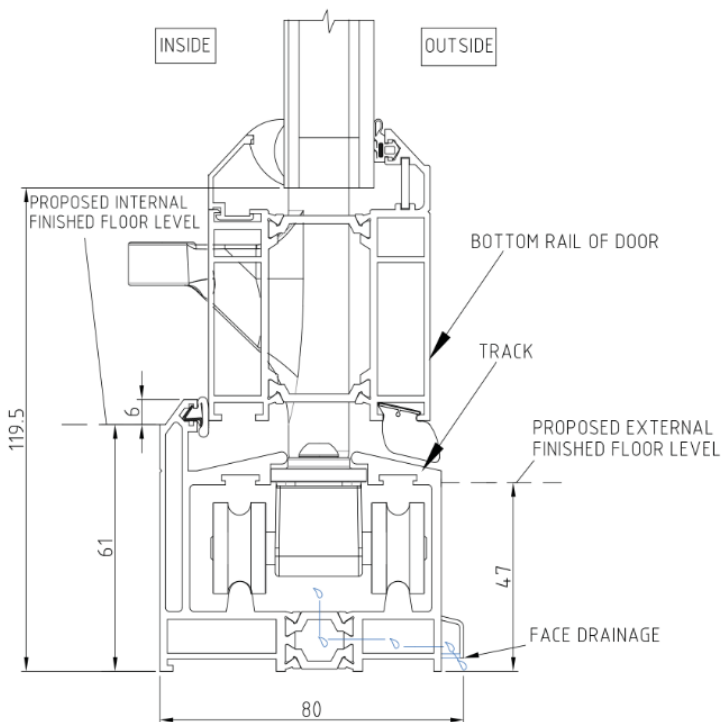
NO ADD ONS ARE AVAILBLE

MINIMUM DOOR PANEL SIZE

700MM each Height 400

MAXIMUM DOOR PANEL SIZE

1200 (Standard) Height 2500



TRICKLE VENTS

Come 25 or 20mm fit to frame as below 25mm cross section

