

Box Gutter Details for Classic Lean-To Roof on Raised Back Box Gutter



(This form must accompany your roof order)

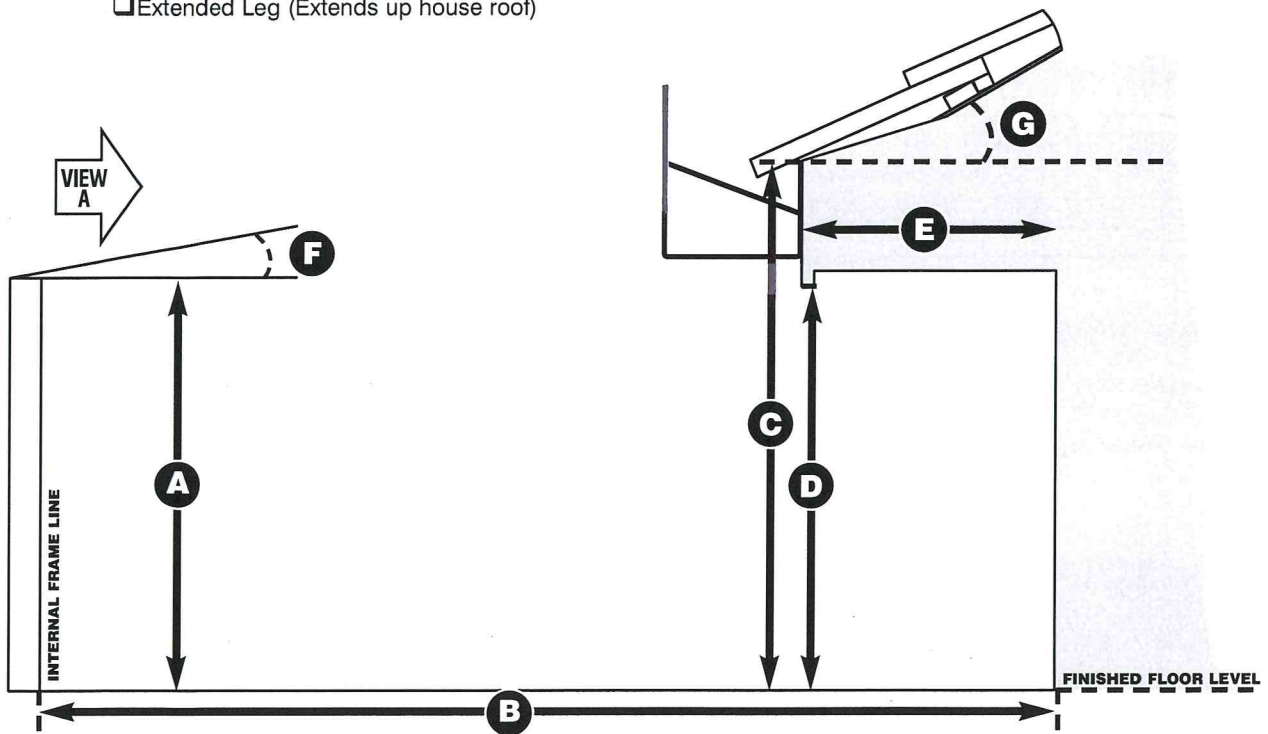
Company Name: Order Reference: Order No:

Please complete all of the following:-

Please note: The box gutter takes the place of the existing house gutter. It can be supplied with a welded stop end or open ended with a box gutter adaptor to connect to classic rainwater goods. If continuing along the fascia with classic gutter the gutter brackets will need packing off to allow correct alignment.

- A** Front frame heightmm
- B** Front frame projection (internal)mm
- C** Height at top of inside leg of boxgutter once fittedmm
- D** Height to the underside of fasciamm
- E** Projection of soffit to outer face of fasciamm
- F** Pitch required°
- G** Pitch of bungalow roof (if extended leg option chosen)°

Please choose: Standard Leg (Illustrated)
 Extended Leg (Extends up house roof)



Please advise:
Welded stop end (S.E.)
Or open end (O.E.)

Please advise:
Welded stop end (S.E.)
Or open end (O.E.)

If box gutter is open ended, please be clear about your rainwater requirements on your order